

SmartCam HD Pro



Looking for multi-functional product for home or business?

SmartCam HD Pro is the best.

- Full HD Resolution
- 128° Ultra Wide Angle
- WDR (Wide Dinamic Range)
- Dual Band Wi-Fi (2.4GHz, 5GHz)
- Storage (microSD, up to 64GB)
- Night Vision up to 16ft
- Two-Way Talk
- Motion and Audio Detection
- Motion Zone Alert



Ultra-Wide Angle



WDR



Night Vision



Motion & Audio Detection



WDR



Motion Zone Select



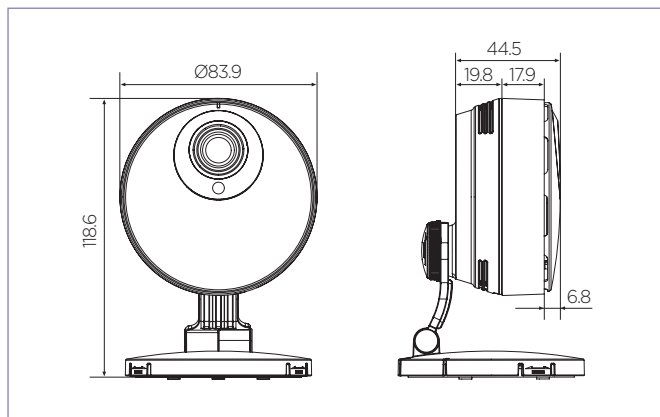
MicroSD Card Recording(64GB)



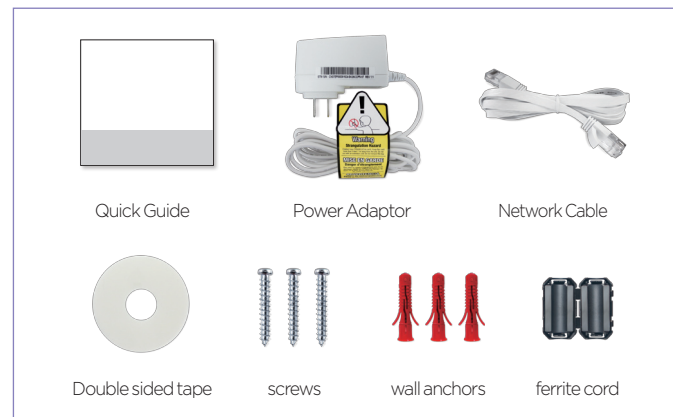
Two-way Talk

Dimensions

Unit : mm (inch)



Contents



Specifications

SNH - P6410BN	
Video	
Imaging Device	1/2.8" 2M CMOS
Effective Pixels	1944(H) x 1224(V)
Scanning System	Progressive
Low Light Performance	0.3Lux(Color), 0Lux(Black / White)
Lens	
Focal Length (Zoom Ratio)	2.8mm
Angular Field of View	D:128° , H:111° , V:62°
Focus Control	Fixed Lens
Operational	
IR LED	850nm
Viewable Length	5m
On Screen Display	Time Display Only(on/off)
Day & Night	Auto (True D/N)
WDR	Support
Motion Detection	Off / On
Audio Detection	Off / On
White Balance	Auto
Digital Zoom	4x
Flip / Mirror	Off / On
Intelligent Video Analytics	3 Motion Zone
Network	
Ethernet	RJ-45 (10/100BASE-T)
Wireless	Wi-Fi 802.11 a/b/g/n (Dual Band)
Video Compression Format	H.264, Motion JPEG
Resolution	1920x1080 / 1280x720 / 640x360
Max. Framerate	H.264, 1920x1080 30FPS (PC)
Streaming Capability	Multiple Streaming (Up to 4 Profiles)
Audio I/O	Built in Spk/Mic
Audio Compression Format	G.711, G726
Audio Communication	Bi-directional(Half duplex)
IP	IPv4
Protocol	TCP/IP, DHCP, SMTP, DNS, RTSP, RTP, HTTP, TCP, UDP, STUN, XMPP, uPNP, SNTP, IPv4, ICMP, Bonjour
Security	SSL(AES 256bit)
Streaming Method	Unicast
Max. User Access	up to 5 users at unicast mode
Memory Slot	microSDXC, up to 64GB
PC OS Support (Web Viewer)	Windows XP / 7 / 8 or higher(Only Desktop UI), MAC OSX10.7 or higher
Mobile OS Support (Mobile Viewer)	Android OS : 4.x or higher, iOS : iOS5 or higher
Supported Browser	Internet Explorer 9.0 or Higher Firefox 9.0 or Higher Chrome 15.0 or Higher Safari 5.1 or Higher
Environmental	
Operating Temperature / Humidity	0°C - +40°C (+32°F - +104°F) / 20% - 80% RH
Ingress Protection	Indoor
Electrical	
Input Voltage / Current	5V/2.2A
Power Consumption	Max 11W
Mechanical	
Color / Material	White
Dimension (WxHxD)	83.9 x 118.9 x 79.3(Bracket), 44.5/36.5(Body)
Weight	293g