

# SNV-5080



1.3Megapixel HD Vandal-Resistant  
Network Dome Camera

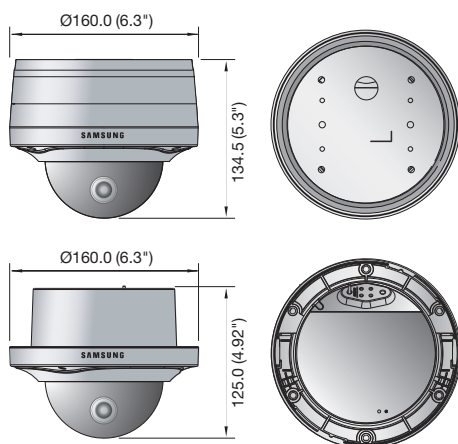


## Key Features

- Max. 1.3M (1280 x 1024) resolution
- 16 : 9 HD (720p) resolution support
- 2.8 ~ 10mm (3.6x) varifocal lens
- H.264, MPEG-4, MJPEG multiple codec
- Multiple streaming
- Intelligent video analytics
- PoE, SD memory, IP66, IK10, Bi-directional audio support

## Dimensions

Unit : mm (inch)



Flush Type

SNV-5080N/P	
<b>VIDEO</b>	
Imaging Device	1/3" 1.3M PS CMOS
Total Pixels	1,384(H) x 1,076(V)
Effective Pixels	1,329(H) x 1,049(V)
Scanning System	Progressive
Min. Illumination	Color : 0.3Lux (F1.2, 50IRE), 0.005Lux (Sens-up 60x) B/W : 0.01Lux (F1.2, 50IRE), 0.0002Lux (Sens-up 60x)
S / N Ratio	50dB
Video Output	CVBS : 1.0Vp-p / 75Ω composite, 704 x 480(N), 704 x 576(P), for installation
<b>LENS</b>	
Focal Length (Zoom Ratio)	2.8 ~ 10mm (3.6x) varifocal
Max. Aperture Ratio	F1.2
Angular Field of View	H : 94.6°(Wide) ~ 28.8°(Tele) / V : 68.4°(Wide) ~ 21.6°(Tele)
Lens Type	DC auto iris
Mount Type	Board-in type
<b>PAN / TILT / ROTATE</b>	
Pan Range	0° ~ 355°
Tilt Range	0° ~ 90°
Rotate Range	0° ~ 355°
<b>OPERATIONAL</b>	
Camera Title	Off / On (Displayed up to 15 characters)
Day & Night	Auto (ICR) / Color / B/W / External B/W
Backlight Compensation	Off / BLC / HLC
Contrast Enhancement	SSDR (Samsung Super Dynamic Range) (Off / On)
Digital Noise Reduction	SSNR III (2D+3D noise filter) (Off / On)
Motion Detection	Off / On (4 programmable zones)
Privacy Masking	Off / On (12 programmable zones)
Sens-up (Frame Integration)	Off / Auto (2x ~ 60x)
Gain Control	Off / Low / Medium / High / Manual
White Balance	ATW / AWC / Manual / Indoor / Outdoor
Electronic Shutter Speed	Auto / A.FLK / Manual (1/30 ~ 30,000sec)
Flip / Mirror	Off / On
Intelligent Video Analytics	Tampering, Virtual line, Enter / Exit, Appear / Disappear
Alarm I/O	Input 1ea / Output 1ea
<b>NETWORK</b>	
Ethernet	RJ-45 (10/100BASE-T)
Video Compression Format	H.264, MPEG-4, MJPEG
Resolution	1280 x 1024, 1280 x 720p (HD), 1024 x 768, 800 x 600, 640 x 480, 320 x 240
Max. Framerate	H.264, MJPEG : 30fps MPEG-4 : 25fps (1280 x 1024), 30fps (720p HD)
Video Quality Adjustment	H.264, MPEG-4 : Compression level, Target bitrate level control MJPEG : Quality level control
Bitrate Control Method	H.264, MPEG-4 : CBR or VBR, MJPEG : VBR
Streaming Capability	Multiple streaming (Up to 10 profiles)
Audio I/O	Mic / Line in, Line out
Audio Compression Format	G.711 u-law
Audio Communication	Bi-directional audio
IP	IPv4, IPv6
Protocol	TCP/IP, UDP/IP, RTP(UDP), RTP(TCP), RTSP, NTP, HTTP, HTTPS, SSL, DHCP, PPPoE FTP, SMTP, ICMP, IGMP, SNMPv1/v2c/v3(MIB-2), ARP, DNS, DDNS, QoS
Security	HTTPS(SSL) login authentication, Digest login authentication IP address filtering, User access log, 802.1x authentication
Streaming Method	Unicast / Multicast
Max. User Access	10 users at unicast mode
Memory Slot	SD/SDHC memory slot
ONVIF Conformance	Yes (Profile S)
Webpage Language	English, French, German, Spanish, Italian, Chinese, Korean, Russian, Japanese, Swedish, Danish, Portuguese, Turkish, Polish, Czech, Rumanian, Serbian, Dutch, Croatian, Hungarian, Greek, Finnish, Norwegian
Web Viewer	Supported OS : Windows XP / VISTA / 7, MAC OS Supported Browser : Internet Explorer 7.0/8.0, Firefox, Google Chrome, Apple Safari
Central Management Software	SmartViewer
<b>ENVIRONMENTAL</b>	
Operating Temperature / Humidity	24V AC : -40°C ~ +55°C (-40°F ~ +131°F) / Less than 90% RH (Heater on)
Ingress Protection	IP66
Vandal Resistance	IK10
<b>ELECTRICAL</b>	
Input Voltage / Current	12V DC, 24V AC, PoE (IEEE802.3af)
Power Consumption	Max. 8W (Heater off), Max. 11W (Heater on) * Heater works at AC input only
<b>MECHANICAL</b>	
Color / Material	Ivory / Aluminum
Dimensions (WxH)	Ø160.0 x 134.5mm (Ø6.3" x 5.3")
Weight	1.3Kg (2.87 lb)

\* The latest product information / specification can be found at [www.samsungsecurity.com](http://www.samsungsecurity.com)

## Accessories (Optional)



SBP-301HM3 SBP-300LM SBP-300CM SBP-300WM1 SBP-300WM SBP-300B SBP-300PM SBP-300KM