



www.GE-InterlogixSecurity.com

Mirror Optic PIR

360° Dual Ceiling Mount

AP669

Overview

The AP669 Ceiling Mount PIR with Dual Optic Technology™ incorporates two independent pyros, two separate ASICs and two 180° mirrors that provide two independent 180° fields of view. This design enables the detector to substantially increase the overall volume of its coverage area, providing superior detection performance and enhanced false alarm immunity. Combining 4D signal image processing with the dual mirror optical system, the AP669 analyzes the size, shape, duration and speed of incoming signals, and actually adapts the alarm threshold when faced with harsh environments. The two separate 180° mirror segments provide additional flexibility by enabling one of the 180° mirror segments to be shunted. One half of the coverage pattern is eliminated simply by programming a dip switch located in the back of the sensors housing. Unlike other ceiling-mount PIRs, the AP669's patented mirror optical system yields 18 solid curtains that cover the room with detection. The curtains emanate from the detector's ceiling-mount position to the floor below and out 30 feet in all directions for maximum coverage at all mounting heights up to 16 feet. The AP669's rotating base allows installers to shift the entire protection pattern by 15° in either direction for easier aiming.



Standard Features

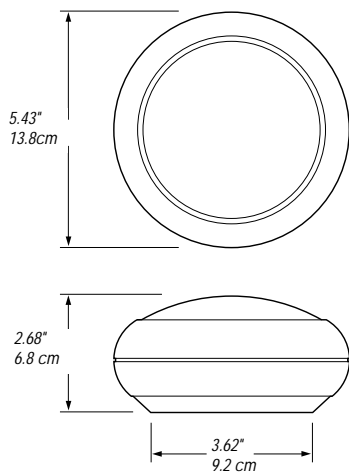
- Dual Optic Technology™
- Two 180° mirrors, two pyros and two ASICs for superior detection and enhanced false alarm immunity
- AP Series — Adaptive Passive Infrared Technology
- 60ft diameter 360° coverage
- 18 full curtains provide superior detection at all mounting heights (8–16ft)
- Head and base style unit adjusts 15° in either direction for easier aiming
- 180° shunt provides flexibility to use only one half of the unit's field of view when necessary

Mirror Optic PIR

360° Dual Ceiling Mount

AP669

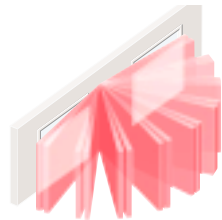
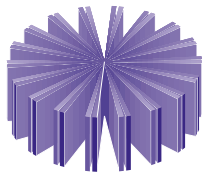
Dimensions



Lens coverage

Full 360° Coverage
18 full curtains

180° Shunt
Protecting a room with a bank
of windows



Specifications

Coverage pattern
Input power

Current consumption
Alarm output

Tamper Output
Alarm time

Mounting height

Environmental Limits:

Operational Temp range

Relative humidity

Dimensions

Listing

Eighteen 30' curtains provide 360° detection
12 or 24V (7.0–28VDC);
maximum ripple = 2V peak to peak @ 12V
11mA nominal/13mA max @ 12V
Form C relay rated 50mA @ 28VDC 33ohm current
limiting resistor in series with the common
Closed loop switch rated 100mA @ 28VDC
2.5 second min
8–16'

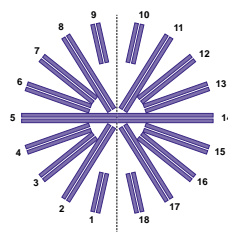
0°F–131°F (–18°C –+55°C)

93% max

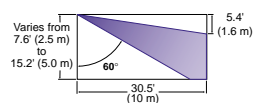
5.43" D x 2.68" H x 4.25oz W
(13.8cm x 6.8cm x 120g)

C-UL-US, UL639, CAN/ULC–5306

Lens coverage



Curtain 1 & 9



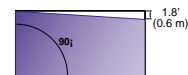
Curtain 3, 4, 6, & 7



Curtain 2 & 8



Curtain 5



Ordering Information

Model	Description
AP669	Ceiling mount PIR, 18 curtains, Form C relay, mounting height from 8'-16'
AP669BP	Optional "base plate" used for 569 retrofit applications (fits 4" octagonal electrical box)



GE Interlogix

www.GE-InterlogixSecurity.com

12345 SW Leveton Drive

Tualatin, OR 97062

Phone: 503-692-4052

USA & Canada: 800-547-2556

Technical Service: 800-648-7424

Faxback: 800-483-2495

2266 Second Street North

North St. Paul, MN 55109

Phone: 651-777-2690

USA & Canada: 800-777-5484

Technical Service: 800-777-2624